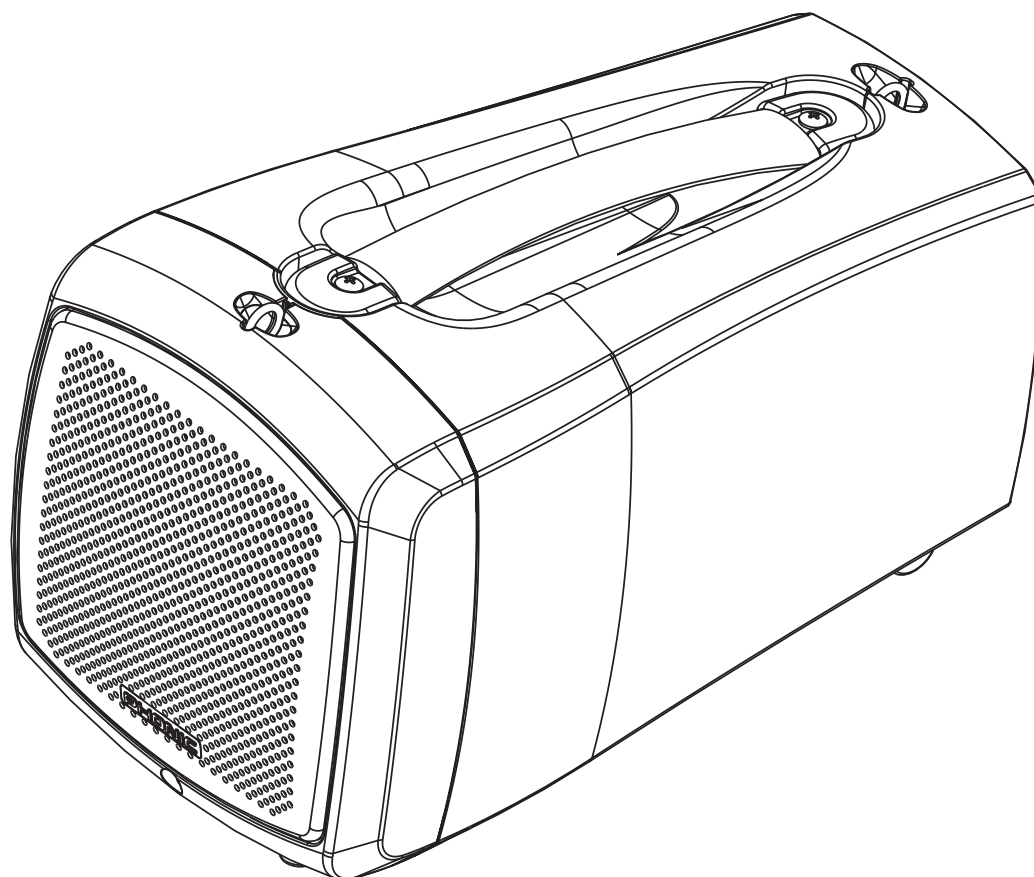


# PHONIC



WWW.PHONIC.COM

**SAFARI 1000 M**  
**SAFARI 1000 LITE**

- User's Manual
- Manual del Usuario

# SAFARI 1000 M

# SAFARI 1000 LITE

25 Watt All-In-One Portable PA System  
Sistema PA Portable Todo en Uno 25 Watt



**ENGLISH..... I**

**ESPAÑOL..... II**

**APPENDIX..... III**

# USER'S MANUAL

## CONTENTS

Introduction..... 1

Advanced Electronics. Advanced Reliability..... 1

Features..... 1

Optional Components..... 1

Included Components..... 1

Front View..... 2

Side View..... 2

Playback..... 3

Record..... 3

Replacing the Batteries..... 4

Transmitter Components..... 4

Specifications..... 5

Wireless Specifications..... 5

## APPENDIX

Dimensions..... 1

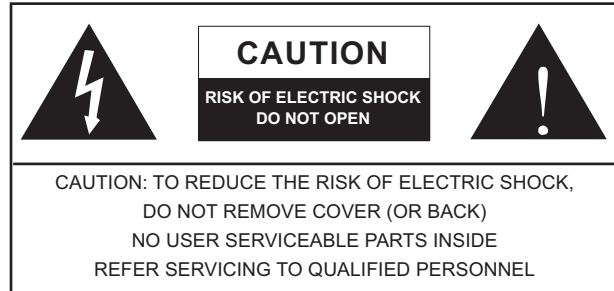
Phonic preserves the right to improve or alter any information within this document without prior notice

## IMPORTANT SAFETY INSTRUCTIONS

The apparatus shall not be exposed to dripping or splashing and that no objects filled with liquids, such as vases, shall be placed on the apparatus. The MAINS plug is used as the disconnect device, the disconnect device shall remain readily operable.

**Warning:** the user shall not place this apparatus in the confined area during the operation so that the mains switch can be easily accessible.

1. Read these instructions before operating this apparatus.
2. Keep these instructions for future reference.
3. Heed all warnings to ensure safe operation.
4. Follow all instructions provided in this document.
5. Do not use this apparatus near water or in locations where condensation may occur.
6. Clean only with dry cloth. Do not use aerosol or liquid cleaners. Unplug this apparatus before cleaning.
7. Do not block any of the ventilation openings. Install in accordance with the manufacturer's instructions.
8. Do not install near any heat sources such as radiators, heat registers, stoves, or other apparatus (including amplifiers) that produce heat.
9. Do not defeat the safety purpose of the polarized or grounding-type plug. A polarized plug has two blades with one wider than the other. A grounding type plug has two blades and a third grounding prong. The wide blade or the third prong is provided for your safety. If the provided plug does not fit into your outlet, consult an electrician for replacement of the obsolete outlet.
10. Protect the power cord from being walked on or pinched particularly at plug, convenience receptacles, and the point where they exit from the apparatus.
11. Only use attachments/accessories specified by the manufacturer.
12. Use only with a cart, stand, tripod, bracket, or table specified by the manufacturer, or sold with the apparatus. When a cart is used, use caution when moving the cart/apparatus combination to avoid injury from tip-over.
13. Unplug this apparatus during lightning storms or when unused for long periods of time.
14. Refer all servicing to qualified service personnel. Servicing is required when the apparatus has been damaged in any way, such as power-supply cord or plug is damaged, liquid has been spilled or objects have fallen into the apparatus, the apparatus has been exposed to rain or moisture, does not operate normally, or has been dropped.



The lightning flash with arrowhead symbol, within an equilateral triangle, is intended to alert the user to the presence of uninsulated "dangerous voltage" within the product's enclosure that may be of sufficient magnitude to constitute a risk of electric shock to persons.



The exclamation point within an equilateral triangle is intended to alert the user to the presence of important operating and maintenance (servicing) instructions in the literature accompanying the appliance.

**WARNING:** To reduce the risk of fire or electric shock, do not expose this apparatus to rain or moisture.

**CAUTION:** Use of controls or adjustments or performance of procedures other than those specified may result in hazardous radiation exposure.



## Introduction

The Safari 1000 is Phonic's latest all-in-one, battery-powered sound solution. Powered by advanced class D amplifiers that deliver a commanding 25 Watts, the Safari 1000 can reach crowds of 100 people. At a lightweight 1.9 kg, the Safari 1000 is Phonic's lightest audio system yet.

The Safari's rugged polymer body, rounded corners, and internal bracing system maximize structural strength, allowing the Safari to withstand heavy use. The Safari's electronic circuitry, including the amplifier, battery, and speaker are state-of-the-art. The efficient battery system can operate up to 10 hours on a full charge. The onboard mixer has versatile input options, including 1/4" phone jack and mini-stereo.

Finally, options such as Phonic's auto-scan wireless microphones, CD/USB player & recorder, and USB recorder give users the flexibility to customize the Safari 1000 into a perfectly tailored solution. So whether you are a street vendor, a musician, a teacher, or a business professional, the rugged, versatile, and powerful Safari 1000 is your ultimate portable system.

## Advanced Electronics. Advanced Reliability

Phonic engineers designed the Safari 1000 for maximum reliability and durability. As of the launch date, the Safari's power supply, amplifier, and battery circuitries have endured over 1000 hours of real world and lab tests, guaranteeing a remarkable level of reliability. From heated ovens, freezing subzero rooms, high humidity chambers, rigorous drop tests, to electrical voltage spikes, the Safari has seen it all.

## Features

- Ultra-durable & lightweight (1.9kg) all-in-one battery powered sound solution
- 50 Watt Class D amplifier technology
- Impact resistant polymer enclosure
- 5.25" full-range speaker for clear, concise audio
- 1/4" TRS and mini stereo input connectors
- Mini-stereo output connector for extended operation
- Flat frequency response between 50Hz and 18kHz
- Up to 10 hours of operation running at 80% capacity
- Shoulder strap for easy mobility between venues or when in use
- Imbedded LED on front cover for illuminating dark areas
- Integrated alert tone for announcements and public addresses
- Alarm siren for use in emergency situations
- Optional weather-proof bag for use in poor weather

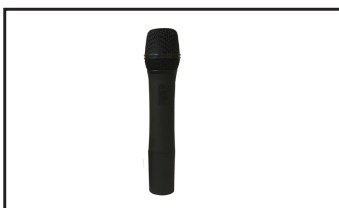
## Safari 1000M also features:

- USB recorder to record and playback to and from USB flash drives
- Advanced wireless microphone system utilizing Phonic's own Auto-Scan technology

## Included Components:

- Safari 1000 unit
- DC power adapter
- User's manual

## Options and Accessories



Wireless handheld system  
(WM-1S)



Wireless lavalier system  
(WL-1S)



Wireless headset system  
(WH-1S)

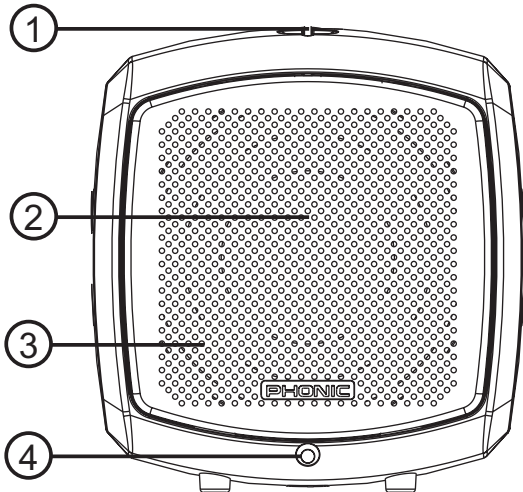
## Package Options

### Safari 1000 Lite Includes:

- ▶ Safari 1000 Lite base unit
- ▶ Wired microphone with 3' spiral cable
- ▶ Dust cover
- ▶ Shoulder strap

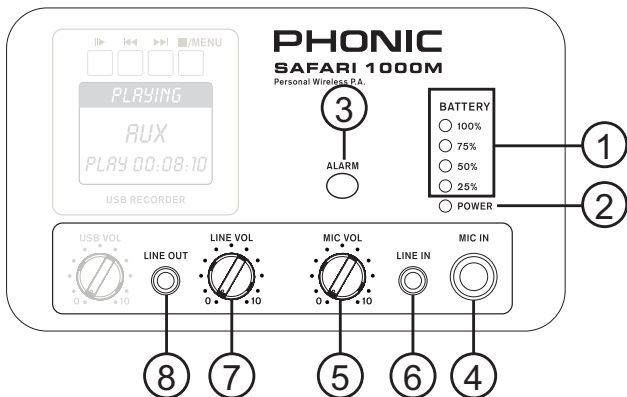
### Safari 1000M Includes:

- ▶ Safari 1000M base unit
- ▶ WM-1S wireless handheld microphone system
- ▶ USB playback and recording module
- ▶ Dust cover
- ▶ Shoulder strap



**Front View**

- 1. LED Switch and Top Mounted Handle
- 2. Full-Range Speaker
- 3. Grille
- 4. LED Light



**Side View**

**1. Battery Status Indicators**

The Safari 1000 has a 4-LED battery status indicator. When the battery is full, the green "100%" LED will display. There are also indicators indicating a 75%, 50% and 25% charge.

**2. Power LED**

The blue "Power" LED will light up when the Safari 1000 is activated.

**3. Alarm Button**

Pushing this button will cause the Safari 1000 to emit an alarm tone. This is ideal in emergency situations and when trying to attract attention.

**4. Mic In**

This input accepts 1/4" phone jack inputs and is ideal for the connection of microphones.

**5. Mic Control**

This rotary control adjusts the input level from the microphone input jack.

**6. Line Input**

This 1/8" mini-stereo line input is ideal for connection of device such as MP3 and CD players.

**7. Line Control**

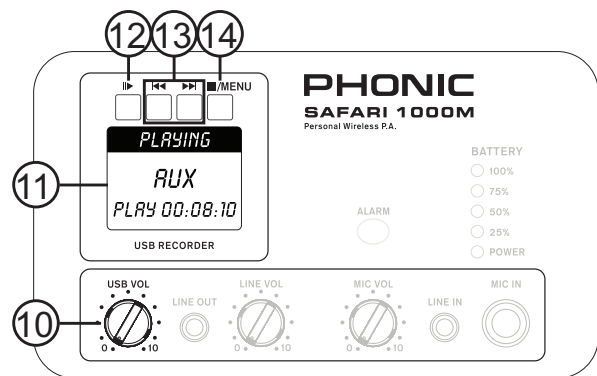
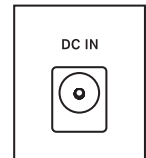
This rotary control will allow you to adjust the volume of the line input jack.

**8. Line Output**

This 1/8" output jack is perfect for connection of recording devices such as PC computers and MP3 recorders.

**9. DC Charging Port (Rear)**

Connect the included DC power adapter to this port to charge the Safari 1000. The plug of the power adapter should be connected to a suitable AC power socket.



**Safari 1000M**

**10. USB Level Control**

Use this rotary control to adjust the level of the audio played through the MP3 player/recorder.

**11. USB Player Display**

This will display the track number of the currently selected/ playing track and the time played.

**12. Play / Pause Button**

This button will allow users to play and pause files from the inserted USB flash drive.

**13. Back / Skip Buttons**

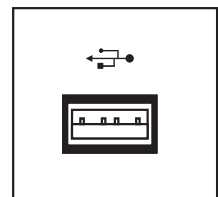
These buttons are used to skip back and forth between tracks. Pushing and holding one of these buttons will allow you to skip forwards and backwards within the track.

**14. Stop / Menu Button**

Push this button to stop the currently playing track. Push again to access the USB player's main menu (to adjust folder and repeat options).

**15. USB Connector (Rear)**

Connect your USB flash drive to this input. Once a drive is connected, the files will initiate and the first track will appear paused on screen. Phonic recommends that users format their USB flash drives using a FAT-32 file system.



## Playback

The USB player supports WAV, WMA and MP3 playback through USB.

1. Power on the device.
2. Insert an appropriately formatted (FAT32) USB flash drive.
3. On the main menu, select "Playback" and press the PLAY button.
4. Press the PLAY button to play the current track, or the << and >> buttons to skip forward and backwards between tracks.
5. Press the MENU button while in the Playback mode to access the File Browser, Delete File, Repeat Mode and Volume Control functions.
6. Press and hold the MENU button for three seconds to exit playback mode and return to the main menu.

**Folders** - Freely navigate songs in each folder on USB flash disc using the << and >> buttons. Press PLAY button to select, press MENU button to go back.

**Repeat Mode** - There 4 repeat modes available.

**No Repeat** - Play each file in the current folder or root for once.

**Repeat one** - Constantly repeat selected song.

**Repeat Folder** - Constantly repeat all the song in the certain folder or root.

**Random** - Enables random playback of files in current folder or root.

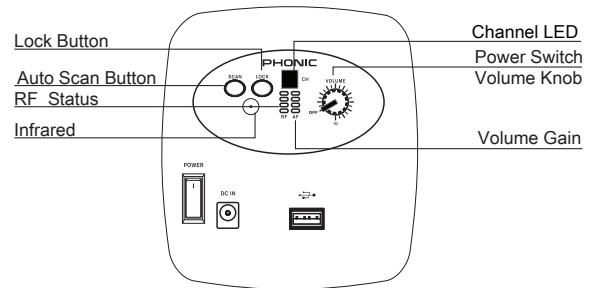
## Record

Users can record high quality WAV format

1. Power on the device.
2. Insert an appropriately formatted (FAT32) USB flash drive.
3. In the main menu, select "Record" and press the PLAY button to enter recording mode.
4. Select between the 128 kbit/s and 192 kbit/s WAV recording modes and press the PLAY button.
5. Record mode will begin in standby/pause. Push the Play/Pause button to begin recording. The unit will save the recorded file into the RECORD directory on the USB device.
6. Push the Play/Pause button to pause recording. Pushing the Play/Pause button again will resume recording from the position at which it was paused.
7. Press the MENU button at any time to save the recording. Once the recording is saved, the system will automatically skip to the next track.
8. To exit out of the playback mode and return to the main menu, press and hold MENU button for three seconds.

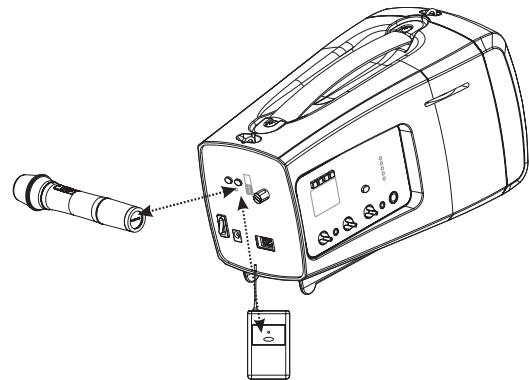
NOTE: The USB rotary control will adjust the playback level only and will not affect recording levels. The only level controls that will affect the recording level are those found on the individual input channels.

## Wireless Microphones (Safari 1000M)



### One-Touch Auto Scan

1. Power-on the Safari One-Touch Autoscan wireless receiver (WR-1) by turning the volume knob clockwise. You should hear a click sound from the knob.
2. Power-on your handheld microphone (WM-1) or beltpack unit (WB-1)
3. Hold the WM-1 / WB-1 close against the receiver WR-1 and push the Scan button on the WR-1 for 4 to 5 seconds until the numeric channel LED digits start to automatically change, indicating that the autoscan is finding the best wireless channel.

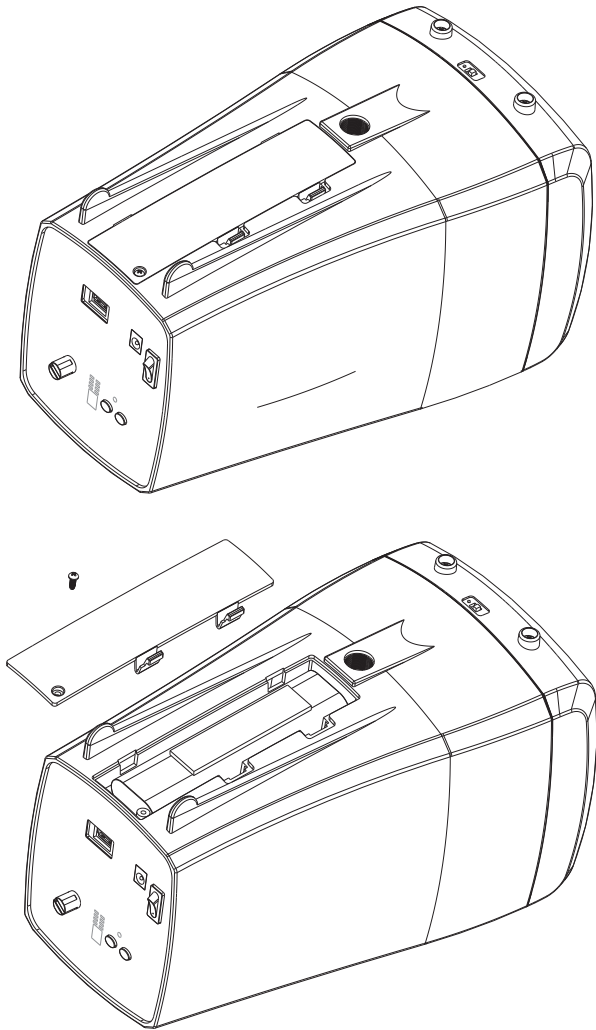


4. The autoscan process is finished when the LED display stops at the optimal channel. At this point, the RF LEDs will activate. If the RF LEDs on the WR-1 do not light on, the connection has not been established successfully. To reinforce the connection, click the Lock button while holding the WM-1 or WB-1 close to the receiver.
5. Upon a successful connection, the AF LEDs on the WR-1 will activate as you speak into the microphone.

### Manual Scan

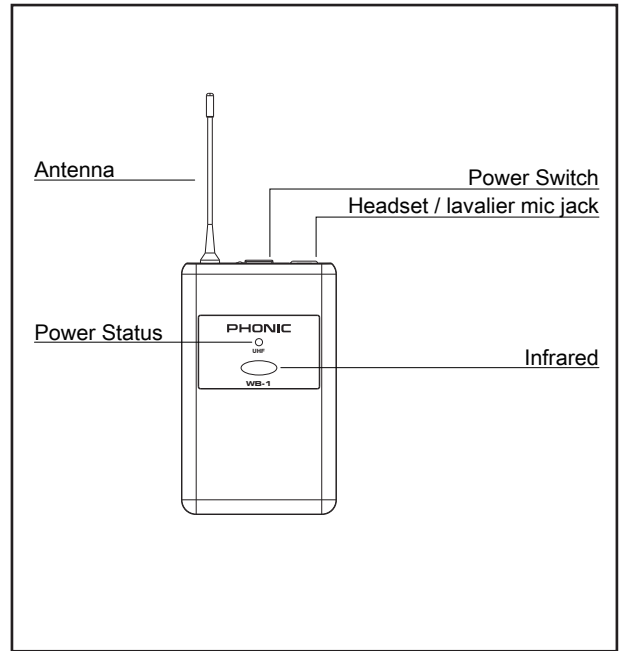
1. Power-on the Safari One-touch Autoscan wireless receiver (WR-1) and the microphone transmitter (WM-1 or WB-1).
2. Push the Scan button on the WR-1 for 2 seconds. The numeric LEDs on the WR-1 will begin to blink. To manually select frequency, continue to click the Scan button until you reach the desired channel.
3. Hold the WM-1 / WB-1 close against the receiver and push the Lock button to confirm the channel and establish the link between the microphone transmitter and receiver. At this point, the RF LEDs will activate and the AF LEDs will respond to the microphone signal. If the connection is not established, re-attempt the manual or autoscan process.

## Replacing the Battery

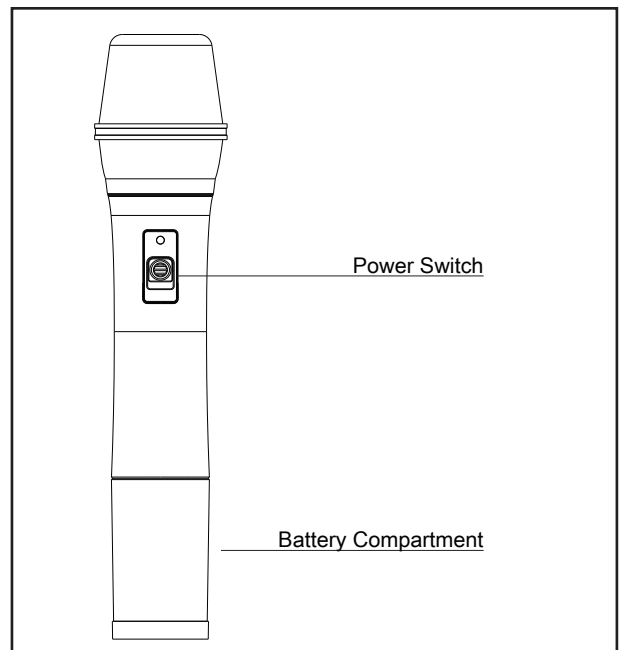


## Transmitter Components

### Beltpack



### Handheld Microphone





## Specifications

	Safari 1000M	Safari 1000 Lite
Amplifier Technology	Class D	Class D
Power Output	50 Watt Peak / 25 Watt RMS	50 Watt Peak / 25 Watt RMS
Power Technology	Switching	Switching
Driver	5.25" Full Range	5.25" Full Range
Frequency Response	50 Hz - 18 kHz	50 Hz - 18 kHz
Input	1/4" TRS and mini-stereo	1/4" TRS and mini-stereo
Output	Mini-stereo	Mini-stereo
Battery Indicator	4-phase indicator	4-phase indicator
Body Material	Molded Polymer	Molded Polymer
USB Recorder/Player	Record: WAV; Playback: MP3/WAV	Not Included
Microphone	Wireless UHF Microphone with autoscans, volume control	Wired Microphone with 3' spiral cable
Battery Spec	Lithium 14.8V 2.6AH	Lithium 14.8V 2.6AH
Battery Operation Time	10 hours at 80% output	10 hours at 80% output
Dimensions (H×W×D)	170 x 156 x 280 mm (6.7" x 5.5" x 11")	170 x 156 x 280 mm (6.7" x 5.5" x 11")
Weight	1.9 kg (4.1 lbs)	1.7 kg (3.7 lbs)

### Wireless Transmitter Specifications

	WM-1 (Handheld Transmitter)	WB-1 (Beltpack Transmitter)
Frequency Range (Selectable)	500-875MHz (Selectable)	500-875MHz (Selectable)
Housing Material	ABS	ABS
Bandwidth	25MHz	25MHz
Spurious Emissions	<-55dBc	<-55dBc
Max. Deviation Range	±68KHz	±68KHz
Maximum Input Level	148dB SPL	148dB SPL
Battery	AA×2 Alkaline, >8hr battery life	AA×2 Alkaline, >8hr battery life

### Wireless Receiver Specifications

	WR-1 (Wireless Receiver)
Frequency Range (Selectable)	500-875MHz (Selectable)
Oscillation Mode	PLL synthesized
Bandwidth	25MHz
Preset Channels	16 Non-interference channels
Receiving Mode	CPU-controlled diversity technology
Squelch Control	Optimized automatic squelch control
Display	Channel display LED, 4 LED RF display, 4 LED AF display
Sensitivity	6dBµV, at S/N>80dB
Max. Deviation Range	±68KHz
Spurious Emissions	<80dB
Frequency Response	50Hz~16KHz
S/N Ratio	>100dBA
T.H.D.	<0.5% @ 1KHz (Dev.=40KHz)
AF Output	300mV rms
Power Supply	DC 12~15V
Current Consumption	<190 mA
Working Temperature	-10~60°C

**NOTE:** Please work with your sales representative to select the optimal frequency for your region.

## SERVICE AND REPAIR

For replacement parts, service and repairs please contact the Phonic distributor in your country. Phonic does not release service manuals to consumers, and advice users to not attempt any self repairs, as doing so voids all warranties. You can locate a dealer near you at <http://www.phonic.com/where/>.

## WARRANTY INFORMATION

Phonic stands behind every product we make with a no-hassles warranty. Warranty coverage may be extended, depending on your region. Phonic Corporation warrants this product for a minimum of one year from the original date of purchase against defects in material and workmanship under use as instructed by the user's manual. Phonic, at its option, shall repair or replace the defective unit covered by this warranty. Please retain the dated sales receipt as evidence of the date of purchase. You will need it for any warranty service. No returns or repairs will be accepted without a proper RMA number (return merchandise authorization). In order to keep this warranty in effect, the product must have been handled and used as prescribed in the instructions accompanying this warranty. Any tampering of the product or attempts of self repair voids all warranty. This warranty does not cover any damage due to accident, misuse, abuse, or negligence. This warranty is valid only if the product was purchased new from an authorized Phonic dealer/distributor. For complete warranty policy information, please visit <http://www.phonic.com/warranty/>.

## CUSTOMER SERVICE AND TECHNICAL SUPPORT

We encourage you to visit our online help at <http://www.phonic.com/support/>. There you can find answers to frequently asked questions, tech tips, driver downloads, returns instruction and other helpful information. We make every effort to answer your questions within one business day.

FCC Caution: To assure continued compliance, any changes or modifications not expressly approved by the party responsible for compliance could void the user's authority to operate this equipment. (Example - use only shielded interface cables when connecting to computer or peripheral devices).

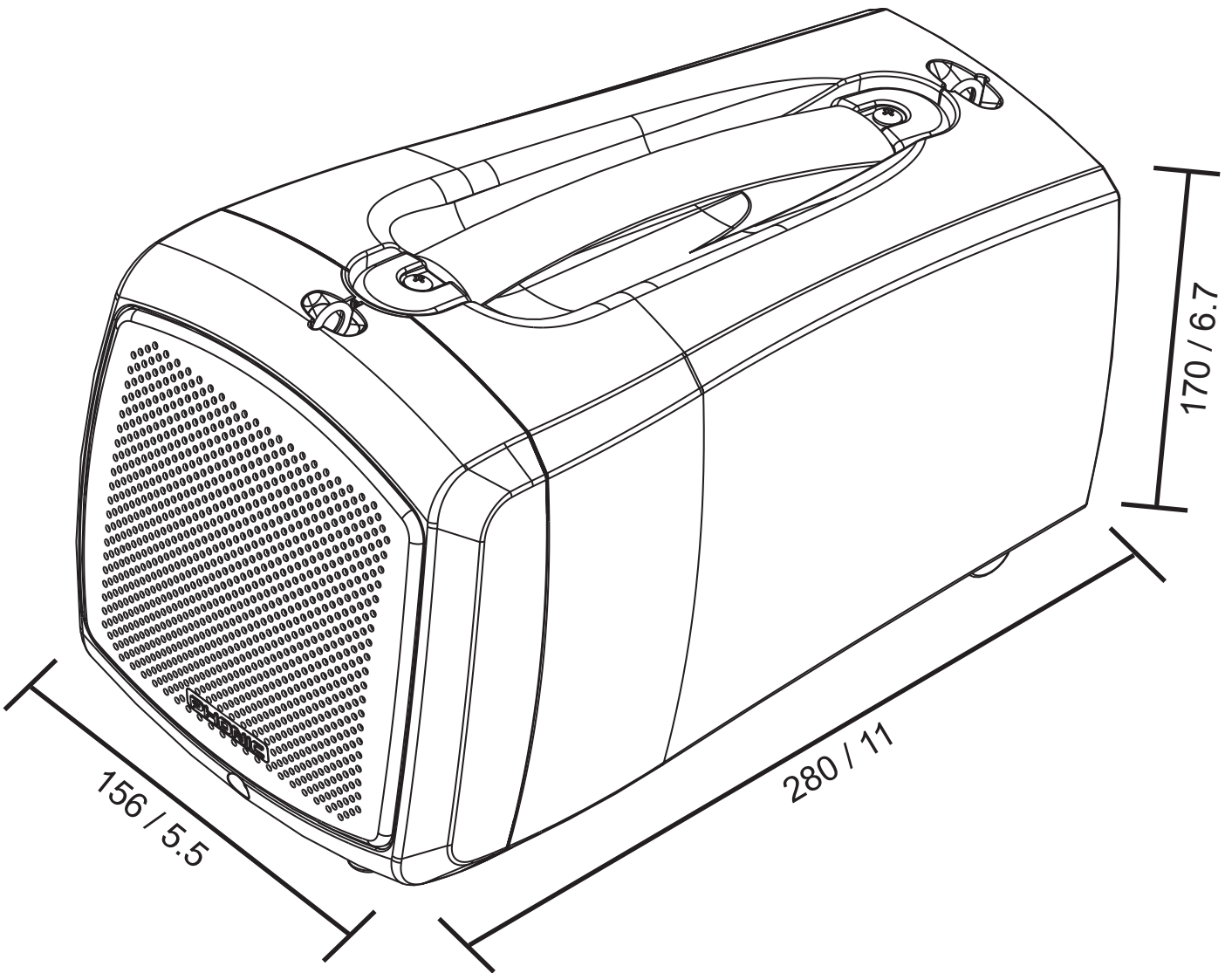
THIS DEVICE COMPLIES WITH PART 74 OF THE FCC RULES. This equipment complies with FCC RF radiation exposure limits set forth for an uncontrolled environment.



[support@phonic.com](mailto:support@phonic.com)  
<http://www.phonic.com>

# PHONIC

DIMENSIONS    DIMENSIONES



Measurements are shown in mm/inches.  
Todas las medidas están mostradas en mm/pulgadas.

**PHONIC**  
[WWW.PHONIC.COM](http://WWW.PHONIC.COM)